



arcadia
® CUSTOM

DOOR AND WINDOW SOLUTIONS

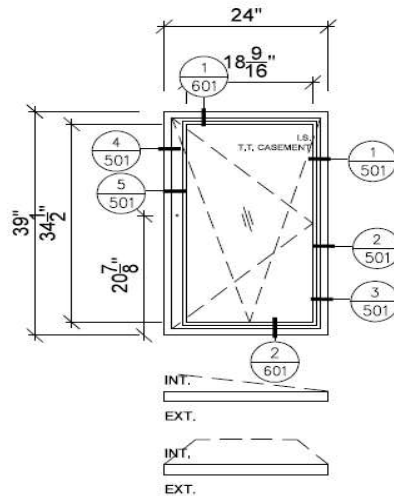
STEEL - ALUMINUM - WOOD

What's New?



arcadia CUSTOM
WINDOW AND DOOR SOLUTIONS
STEEL - ALUMINUM - WOOD

Thermal Steel Tilt and Turn



LABEL : TILT TURN WINDOW PROTOTYPE

- QTY : 1
- PRODUCT : TILT TURN (RH)
- OPR HRW : TILT AND TURN HARDWARE
- GLASS : 1 1/8" DG TEMP. (1/4" 62/27 ON #2+1/4" CLEAR)
- VIEW : EXTERIOR.

SOME HARDWARE INSTALLED AT INTERIOR. SHOWN FOR CLARITY OF POSITION ONLY

All dimensions and conditions shown in these Shop Drawings should be verified in the field before fabrication & installation. Substrate details are for reference only and must be verified by Sub-Contractor and Architect.

Revision: 01	Order # 120887
Revision: 00	TILT TURN WINDOW PROTOTYPE
Rev: 08/31/20	ARCADIA CUSTOMS.
6280 E. OLD VAL. RD. TULSON, AZ 85747 TEL: (520) 884-2070 FAX: (520) 295-1636	
DESIGNED BY: CRAMPT	SCALE: 1/2" = 1'
DRAWN BY: AN	2.01
CHECKED BY: AN	
DATE: 08/31/20	
PROJECT NO: 120887	



Thermal Steel Pivot Window



arcadia CUSTOM
WINDOW AND DOOR SOLUTIONS
STEEL - ALUMINUM - WOOD

Thermal Steel Interior Wood Clad

Mahogany Interior



Traditional steel exterior



New Thermal Steel Sample Box



New Trim Set Options for Thermal Steel

Closely resembles the 016 and the 164



Aspect



Eclipse

New design based on latest design trends

New Trim Set Options for Thermal Steel

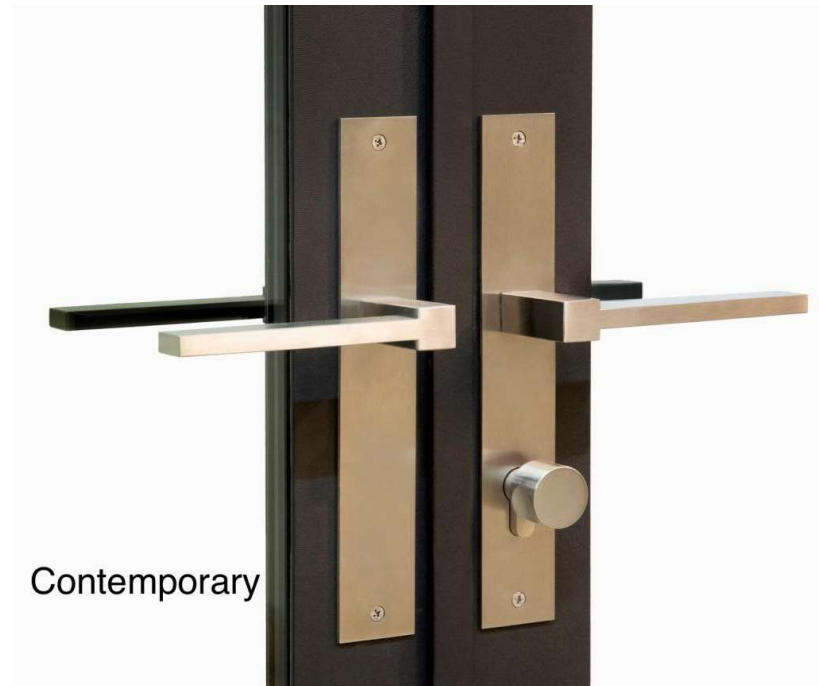
Same design as the 166 but it is roughly 20% larger



Trim Set Options for Thermal Steel – Still Available



Classic



Contemporary

Trim Set Options for Thermal Steel Hinged Doors

Rosettes are discontinued

Sample Chains for finishes available

All bronze hardware is finished at Arcadia Custom – Tucson

After market trim sets are possible – must match our Giesse lock mechanism



New Classic Sliding Door – Thermal Steel

Stainless Steel Rollers – NOT a lift and slide

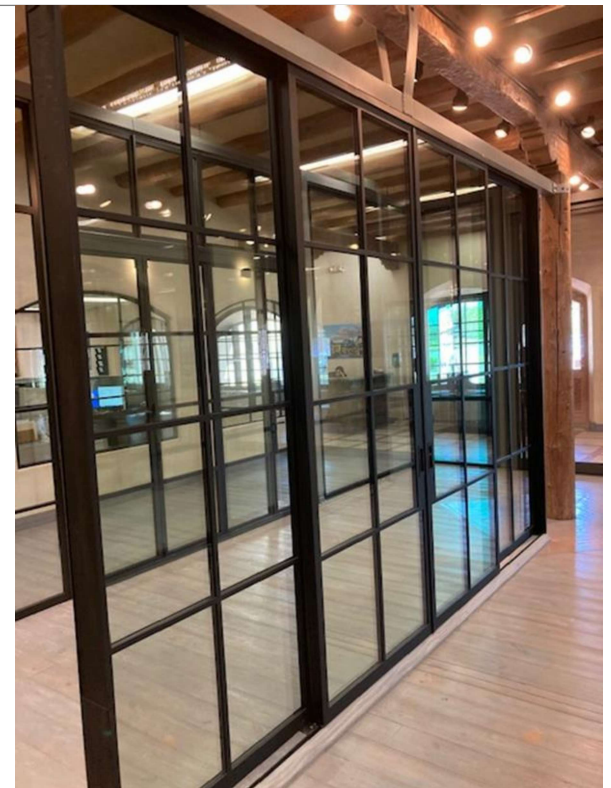
Slim Lines – No lift and slide hardware to conceal

Turn latch locking mechanism – single latch

Flush/Drainage sill and aluminum sill available

TESTING NOT COMPLETED

- Not for use in high exposure areas
- Cost is roughly 25% less than Lift and Slides



New Traditional Sliding Door – Thermal Steel



arcadia CUSTOM
WINDOW AND DOOR SOLUTIONS
STEEL - ALUMINUM - WOOD

New Lift and Slide Handle Option

Product name is Modera

Features: square flat escutcheons, square edged handle, escutcheons for removable handles do not have swinging cover and only short finger pulls are available



New Lift and Slide Sill Option

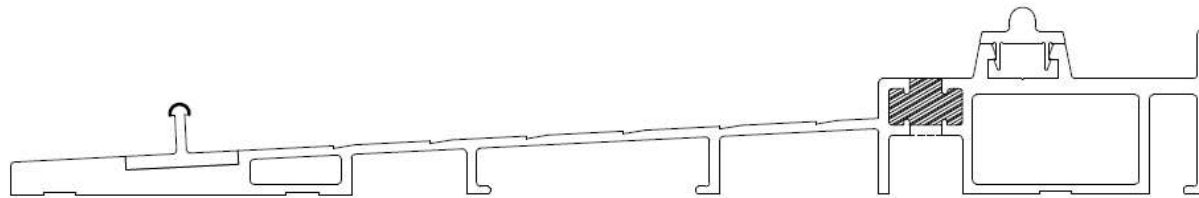
For Single Track Units Only with Sliding Screens – i.e. OXXO

- Sill Depth is 9-9/16”

One Piece extruded sill with screen track – replaces 2 piece sill with screen track system

For no screen – 6-1/2” depth track with no screen track available

Flush sill remains available for single track systems



Arcadia Custom Leadtimes

Aluminum for Stamford standard colors 10-12 weeks

- add four weeks for custom colors
- add four weeks for Pivot Doors and Bifolds

Thermal Steel

- 16-20 weeks
- Shops at 2-3 weeks



Thermal Steel Service Contact

Tony Montano

9280 E. Old Vail Rd

Tucson AZ 85747

Office (520) 284-2061 EXT 2523

Mobile (520) 869-6393

tmontano@arcadiacustom.com



SBS/A&A Project - Thermal Aluminum Window Walls TC470



arcadia CUSTOM
WINDOW AND DOOR SOLUTIONS
STEEL - ALUMINUM - WOOD